

FLAT PANEL MONITORS

29LW09(11UN) Series

9.0" MONOCHROME CRT REPLACEMENT

DISPLAY

No. Colours:	262k
Max. Resolution:	800 x 600 pixels
Active Display Area:	170.6(w) x 129.4(h)
Display Protection:	Optional
Backlight:	Twin CCFL
Backlight Life:	50,000 hours typical
Brightness:	250cd/m ²
Contrast Ratio:	250:1
Viewing Angles:	110°(h), 100°(v)
Panel Size:	8.4" diagonal

SIGNAL INPUTS

Video:	Analog RGB 0.7-1.0Vp-p, TTL (3bit)
Input Connector:	10w Edge
Sync. Type/Level:	Separate H&V(+/-ve) TTL or Composite(-ve) TTL or Sync-on-Green(-ve) 0.3V p-p

Multiscan Support	800 x 600; 640 x 480; 640 x 400; 640 x 350 & other programmed timings in 15-32kHz range
-------------------	--

Horizontal Scan:	15 – 32kHz
Vertical Scan:	40 – 70Hz
Clock Rate:	50MHz max.
Controls: (On Screen Display buttons at rear)	Brightness, Contrast, H/V Position & Size, Frequency, Frequency Fine,

POWER INPUTS

AC Model:	External AC/DC Power Pack 110/230Vac 50/60Hz
DC Model:	12Vdc
Connector:	Concentric / 10w edge
Power Consumption:	25W typical

PHYSICAL / ENVIRONMENTAL

Dimensions (approx):	203(l) x 217(w) x 174(h) mm
Operating Temp:	0° to 50° C
Storage Temp:	-20° to 70° C

PART NUMBERS

AC Model:	29LW09NA11UN
AC (with protective glass):	29LW09A11UN
DC Model:	29LW09NE11UN
DC (with protective glass):	29LW09E11UN

SVGA, VGA & Old Legacy Signals



- **Monochrome LCD for CRT replacement**
- **Simple plug-and-play design**
- **High Brightness/High Contrast TFT panel**
- **15 to 32kHz Horizontal Scanning range**
- **40 to 70 Hz Vertical Scanning range**
- **Programmable for non-standard Legacy signals**
- **12Vdc Operation**
- **OSD Controls for maximum versatility**

The **29LW09(11UN)** series of monitors have been designed for industrial applications in the Control field and other users that require a compact replacement for monochrome CRT monitors with a small footprint, high brightness display and good viewing angles. The rugged, metal construction of the monitors ensures simple retro-fit replacement.

The KME A/D board used has been designed to accept a wide range of signal timings from 15kHz up to SVGA standard, including CGA & EGA legacy signals. Set-up controls for fine-tuning of the display are located at the rear of the monitor. Once set, no further adjustments should be required, and the last setting is stored in memory.

Analogue & TTL signals are accepted via a 10w edge connector.

Due to a policy of continuous product development KME reserves the right to change specifications and descriptions without prior notification.
All trademarks acknowledged. 29lw09(11un) 03/2007

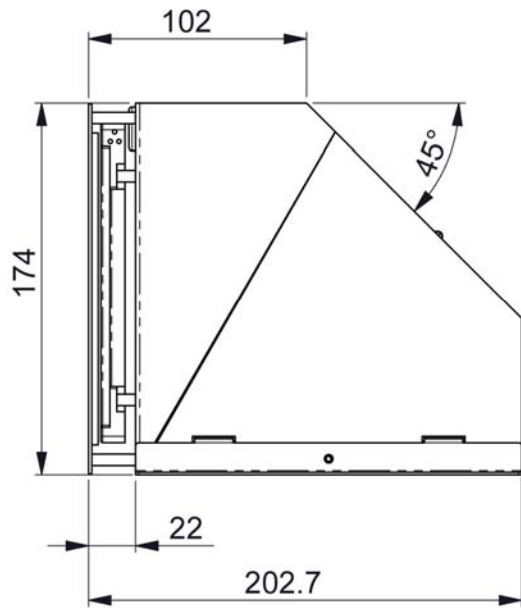
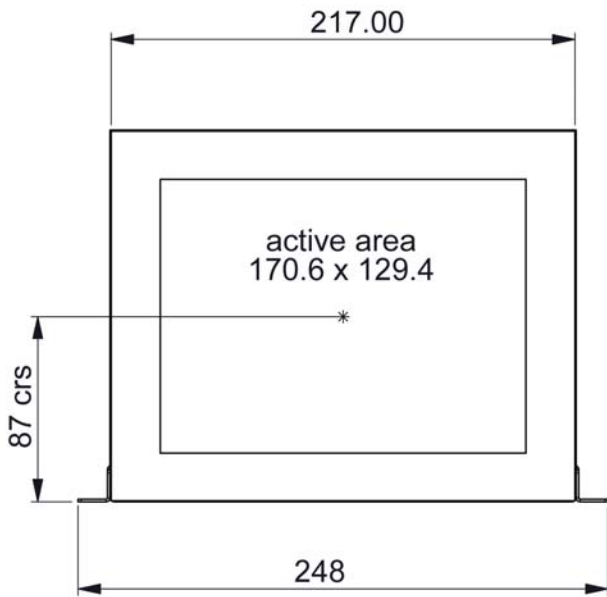
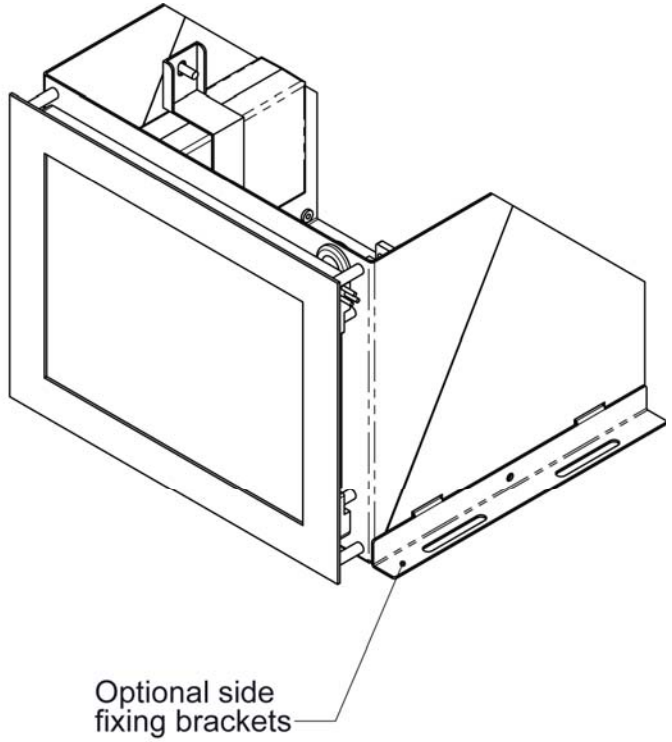
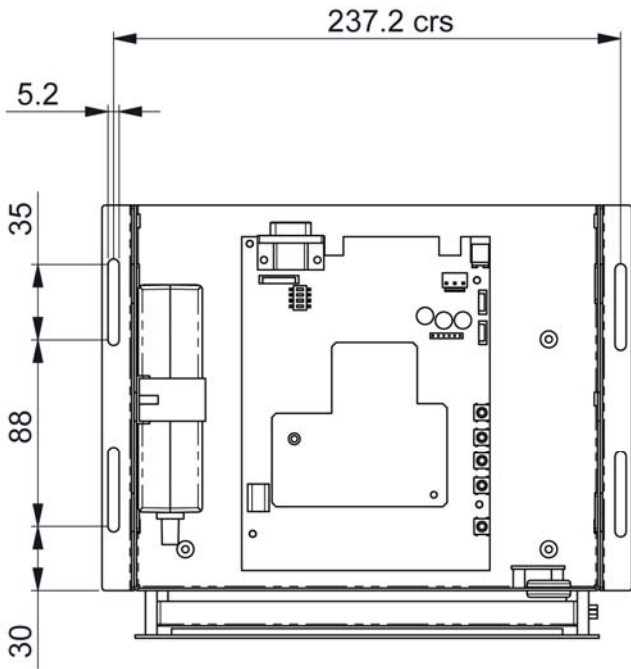
MONITORS & DISPLAY MODULES



INTELLIGENT DISPLAY SOLUTIONS



**9" MONOCHROME CRT REPLACEMENT
29LW09(11UN) Series**



KENT MODULAR ELECTRONICS LIMITED
621 Maidstone Road, Rochester, Kent ME1 3QJ
Tel: +44(0)1634 830123 Fax: +44(0)1634 830619
Email: sales@kme.co.uk Web: www.kme.co.uk

MONITORS & DISPLAY MODULES



INTELLIGENT DISPLAY SOLUTIONS

