

\*Where Fitted

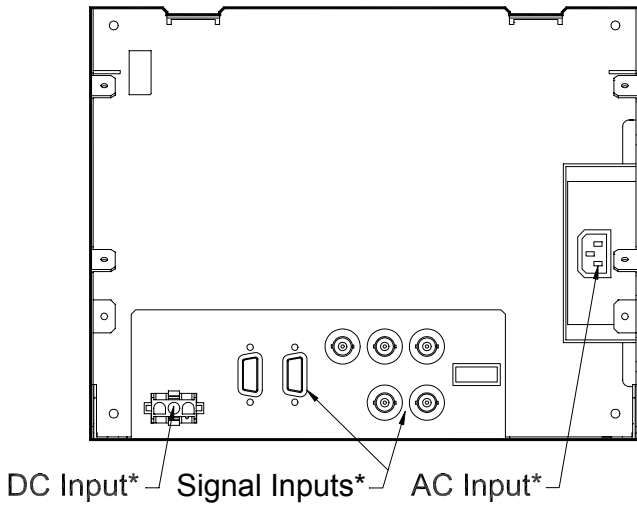
All dimensions in millimetres  
(Not to scale)

**29LW10N(71UN) SERIES**

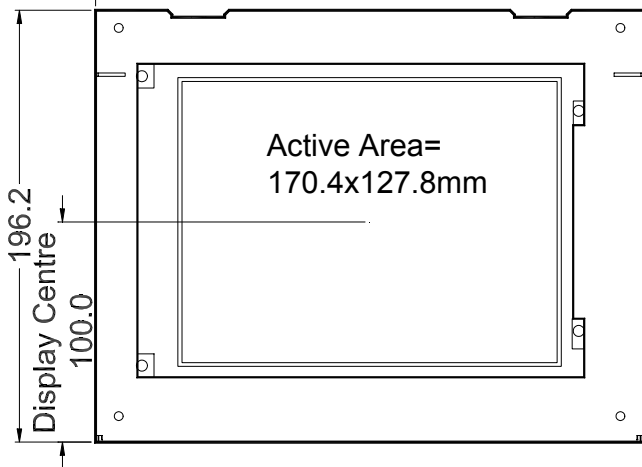
**8.4" LCD MONITOR FOR 10" CRT REPLACEMENT**

(No Protection Glass or Front Cover)

**REAR VIEW**



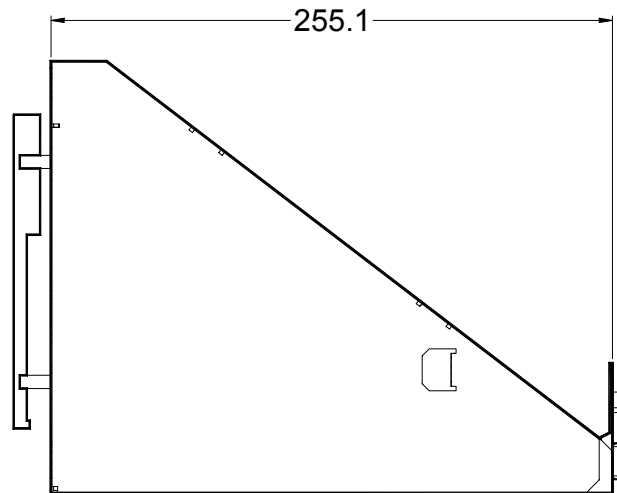
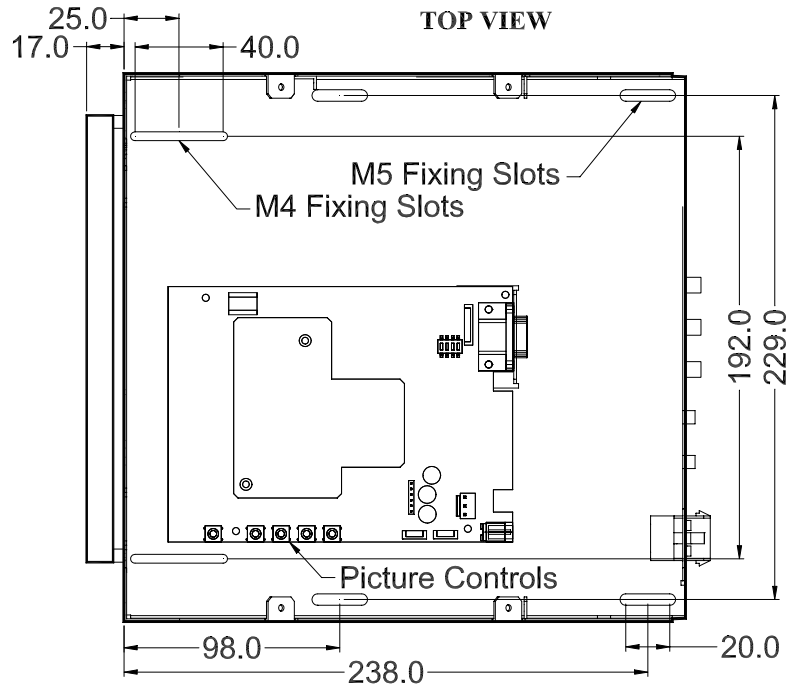
249.0



**FRONT VIEW**

\*Where Fitted

**TOP VIEW**



**SIDE VIEW**

All dimensions in millimetres  
(Not to scale)

29lw10n(71un)2    03/2006

**Kent Modular Electronics Limited**  
 611 Maidstone Road, Rochester, Kent ME1 3QL, UK  
 Tel: +44 (0) 1634 830123 Fax: +44 (0) 1634 830619  
 E-mail: [sales@kme.co.uk](mailto:sales@kme.co.uk)    URL: <http://www.kme.co.uk>