

# FLAT PANEL MONITORS

**29LP081(51UN) SERIES**

**8.4" LCD PANEL MOUNT MONITORS**

## DISPLAY

Type:	AM p-Si Colour TFT
No. Colours:	256k
Resolution	640 x 480 pixels
Active Display Area:	170.4 x 127.8mm
Display Protection	Toughened Glass
Backlight:	Dual Edge CFL x 2
Backlight Life:	50,000 hours typical
Brightness:	400 cd/m <sup>2</sup> typical
Contrast Ratio:	250:1
Viewing Angles:	130° H , 110° V

## SIGNAL INPUTS

Video:	Analog RGB 0.7-1.0Vp-p
Input Connector:	15-pin HD Female
Sync. Type/Level:	Separate H&V (+/-ve) TTL or Composite (-ve) TTL or Sync-on-Green (-ve) 0.3V p-p

Multiscan Support	640 x 480 VGA 640 x 400 640 x 350 & other programmed timings in 15-30kHz range
-------------------	--------------------------------------------------------------------------------------------

Horizontal Scan:	15 –60kHz
Vertical Scan:	40 – 100Hz
Clock Rate:	80MHz max.
Controls: (On Screen Display buttons at rear)	Brightness, Contrast, H/V Position & Size, Frequency, Frequency Fine, Colour

## POWER INPUTS

AC Model:	External AC/DC Power Pack 110/230Vac 50/60Hz.
Connector:	3-pin circular
Power Consumption:	25W typical

## PHYSICAL/ENVIRONMENTAL

Dimensions (approx)	260 x 195 x 60 mm
Panel Fixings:	Threaded Inserts
Weight (approx):	3.0kg. approx
Panel Front:	Painted steel
Operating Temp:	0 to 50 <sup>0</sup> C
Storage Temp:	-20 to 60 <sup>0</sup> C

## PART NUMBERS

Standard Model:	29LP081A51UN
Touchscreen Model: (Resistive)	29LP081AR51UN

## VGA and Old Legacy Signals



- **High Brightness & Long Life TFT Panel**
- **15 to 60kHz Horizontal Scanning range**
- **40 to 100Hz Vertical Scanning range**
- **Programmable for non-standard Legacy signals**
- **Front Panel Seal to IP65**
- **Rear OSD controls for maximum versatility**
- **Optional Touchscreen Integration**

The **29LP081(51UN)** Series of panel mounted LCD monitors has been designed for industrial applications in the Control field and other users who must integrate a VGA compatible colour display into a limited space on a panel or bulkhead.

A strong metal chassis (29LS081A51UN) encloses all signal and backlight electronics. A separate AC power pack can be attached to the rear of the chassis or located elsewhere behind the panel. The KME A/D board has been designed to accept a wide range of signal timings from 15kHz up to VGA standard, including CGA & EGA legacy signals. Set-up controls for fine tuning of the display are located at the rear of the monitor. Once set, no further adjustments should be required, and the last setting is stored in memory.

The chassis is securely fixed to a 3mm thick steel front panel and a toughened glass panel protects the TFT glass. Bulkhead fixing is by means of threaded inserts at the rear of the panel.

Analogue & TTL signals are accepted via a 15D connector and a 2m VGA cable is supplied with the unit. KME can supply 9D-15D or BNC to 15D interface cables as required.

Due to a policy of continuous product development KME reserves the right to change specifications and descriptions without prior notification. All trade marks acknowledged. 29lp081(51un)1 09/2004

MONITORS & DISPLAY MODULES



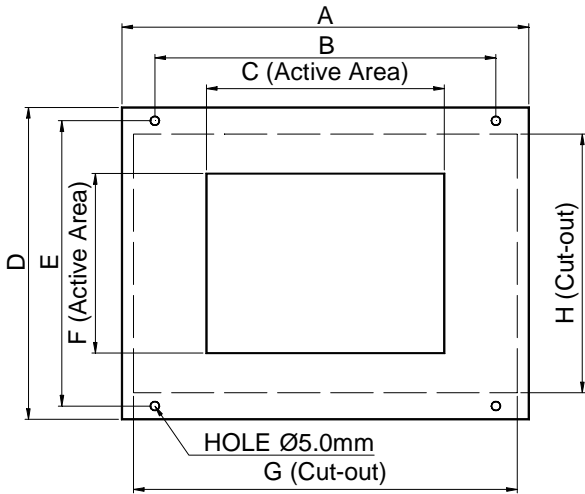
INTELLIGENT DISPLAY SOLUTIONS



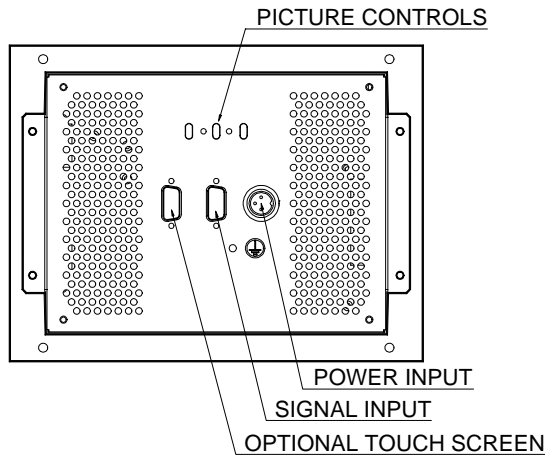
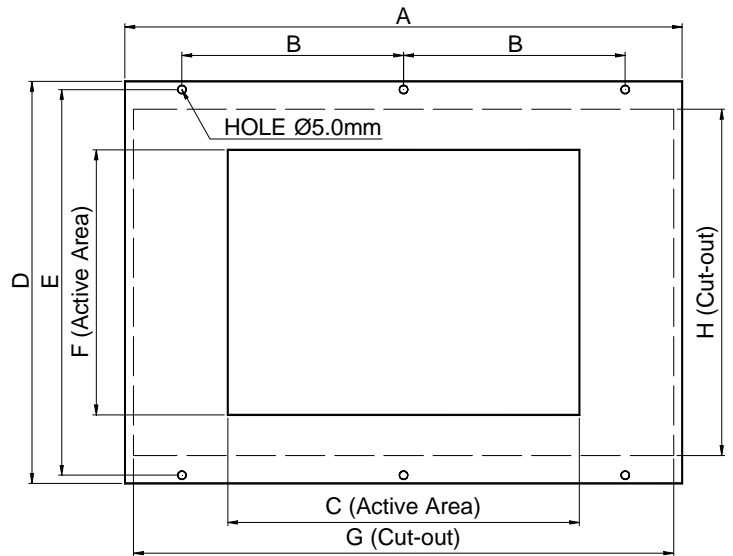
# 29LP SERIES

# PANEL MOUNT TFT MONITORS

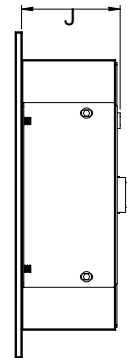
FRONT VIEW 6.5" & 8.4"



FRONT VIEW 10.4"



REAR VIEW (6.5" & 8.4")



SIDE VIEW (6.5" & 8.4")

Dimensions (mm)	PANEL SIZE		
	6.5"	8.4"	10.4"
A	235	260	336
B	215	240	158
C	132.5	170.6	211.2
D	176	195	250
E	160	178	230
F	99.4	127.8	158.4
G	217 ± 1.5	242 ± 1.5	318 ± 1.5
H	146 ± 1.5	164 ± 1.5	212 ± 1.5
J	55 Max	60 Max	55 Max

Design Notes:  
 Panel Colours are RAL 7032.  
 Panel Metal Thickness is 3mm  
 (Not to Scale)

29LP0610-02 06/2000

**Kent Modular Electronics Limited**  
 611 Maidstone Road, Rochester, Kent ME1 3QL, UK  
 Tel: +44 (0) 1634 830123 Fax: +44 (0) 1634 830619  
 E-mail: sales@kme.co.uk URL: <http://www.kme.co.uk>