

FLAT PANEL MONITORS

29LM104(61MP) SERIES

10.4" LCD MONITOR HEADS

DISPLAY

Type:	AM p-Si Colour TFT
No. Colours:	256k
Max. Resolution:	640 x 480 pixels
Active Display Area:	211.2 x 158.4 mm
Display Protection:	Toughened Glass
Backlight:	Dual Edge CFL x 2
Backlight Life:	50,000 hours typical
Brightness:	400 cd/m ² typical
Contrast Ratio:	250:1
Viewing Angles:	110°H , 90° V

SIGNAL INPUTS

Input A:

RGB:	Analog RGB 0.7-1.0Vp-p
Input Connector:	15-pin HD Female
Sync. Type/Level:	Separate H&V (+/-ve) TTL

Input B:

Video:	PAL or NTSC standard
Input Connector:	RCA
Sync. Type/Level:	Composite (CVBS) 1Vp-p

Resolution: 640 x 480 VGA

Horizontal Scan: 15 - 38kHz
Vertical Scan: 50 - 70Hz

User Controls: None
Set Up Controls: (At rear) Autosetup + full OSD menu via pushbuttons

POWER INPUTS

AC Model:	External AC/DC Power Pack 110/230Vac 50/60Hz
DC Model:	12.0Vdc at 0.8 A approx.
Connector:	2.1mm
Power Consumption:	20W typical

PHYSICAL / ENVIRONMENTAL

Dimensions (approx):	301 x 207 x 44 mm
Weight (approx):	1.5 kg.
Housing:	Painted Alum. (Storm Grey)
Operating Temp:	0 ⁰ to 50 ⁰ C
Storage Temp:	-20 ⁰ to 60 ⁰ C

PART NUMBERS

Standard Model	29LM104E61MP
AC Power Pack:	31PR0072-12

No Frills Video + VGA



- **High Brightness/Long Life TFT panel**
- **VGA (640 x 480 pixels) resolution**
- **Automatic Image Size Adjustment**
- **VESA Standard Fixings for Ergo Arm**
- **Side & Top Fixing brackets available**
- **Touchscreens easily integrated**
- **Provision for remote OSD controls**
- **A No Frills Industrial Design Concept**

The **29LM104(61MP)** Series of LCD monitor heads has been designed for industrial applications that require a compact VGA compatible monitor with good viewability. It is constructed from painted Aluminium, making it lightweight with good rigidity. VESA fixings at the rear make for easy wall mounting or use with Ergo arms. Side and/or Top fixing brackets are also available.

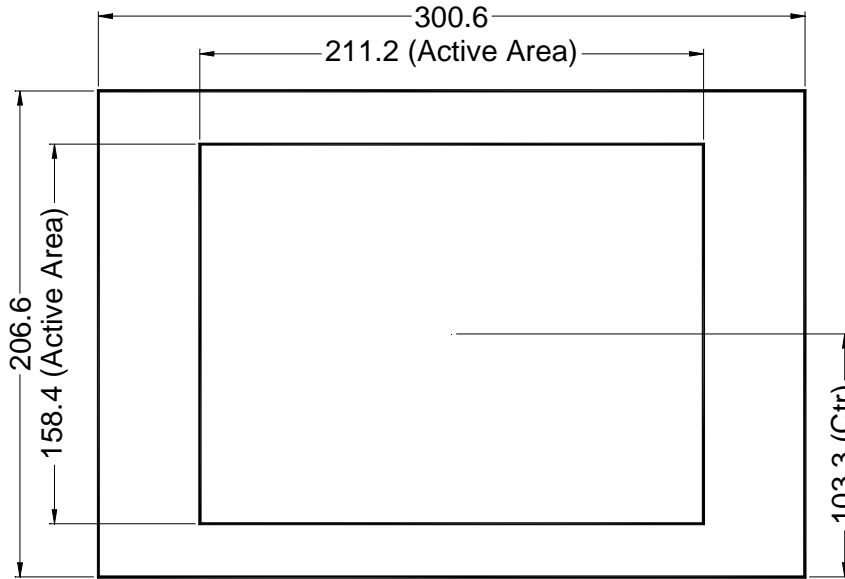
The **29LM104(61MP)** Series incorporates PAL/NTSC capability in addition to RGB, opening applications in security, surveillance and machine vision systems. Power & Signal connectors exit vertically downwards allowing the installer to take full advantage of the monitor's 44mm depth.

The **61MP series** has been designed as a cost-effective alternative to our **41MP series** 10.4" displays for applications where standard signal timings are used and where there is no requirement for lockable connectors.

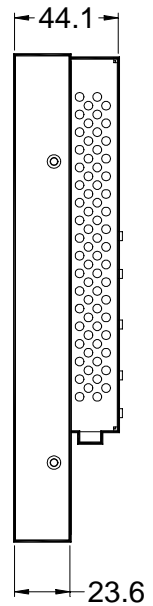
29LM104(61MP) SERIES

10.4" TFT MONITOR HEAD

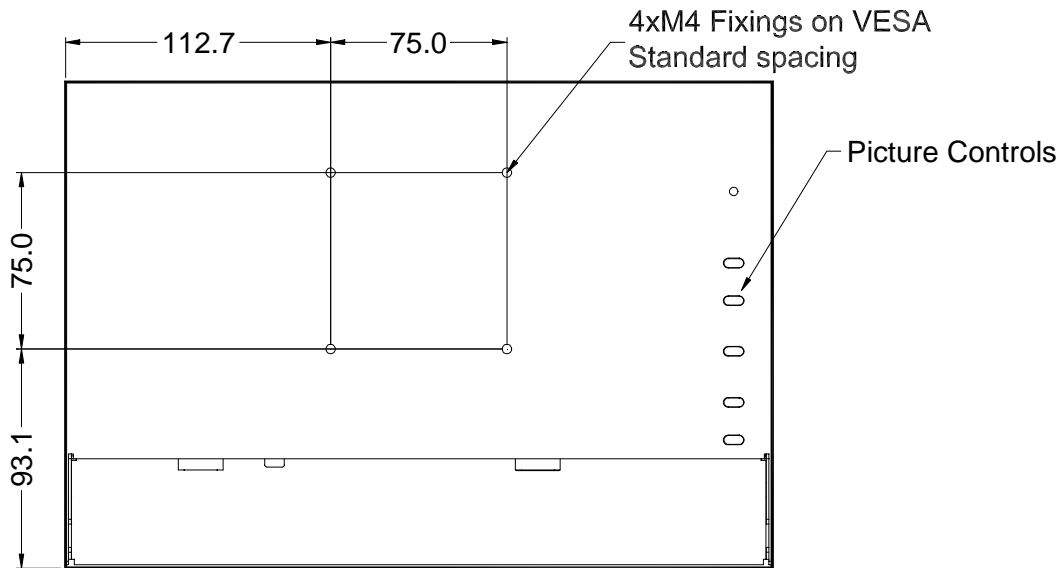
FRONT VIEW



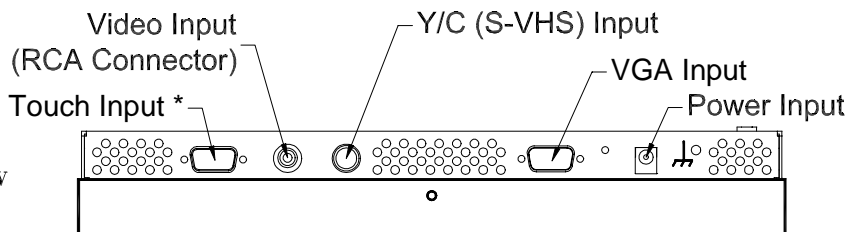
SIDE VIEW



REAR VIEW



BOTTOM VIEW



* Where Fitted.

All dimensions in millimetres
(Not to scale)