

FLAT PANEL MONITORS

29LM081(51UN) SERIES

8.4" LCD MONITOR HEADS

DISPLAY

Type:	AM p-Si Colour TFT
No. Colours:	256k
Max. Resolution:	640 x 480 pixels
Active Display Area:	170.4 x 127.8 mm
Display Protection:	Toughened Glass
Backlight:	Dual Edge CFL x 2
Backlight Life:	50,000 hours typical
Brightness:	400 cd/m ² typical
Contrast Ratio:	450:1
Viewing Angles:	130°H, 110° V

SIGNAL INPUTS

Video:	Analog RGB 0.7-1.0Vp-p
Input Connector:	15-pin HD Female
Sync. Type/Level:	Separate H&V (+/-ve) TTL or Composite (-ve) TTL or Sync-on-Green (-ve) 0.3V p-p

Multiscan Support	640 x 480 VGA 640 x 400 640 x 350 & other programmed timings in 15-30kHz range
-------------------	--

Horizontal Scan:	15 –60kHz
Vertical Scan:	40 – 100Hz
Clock Rate:	80MHz max.
Controls: (On Screen Display buttons at rear)	Brightness, Contrast, H/V Position & Size, Frequency, Frequency Fine, Colour

POWER INPUTS

AC Model:	External AC/DC Power Pack 110/230Vac 50/60Hz
-----------	---

DC Model:	12Vdc
Connector:	3-pin Circular
Power Consumption:	25W typical

PHYSICAL / ENVIRONMENTAL

Dimensions (approx):	222 x 162 x 70mm
Weight (approx):	2.5 kg.
Operating Temp:	0 ⁰ to 50 ⁰ C
Storage Temp:	-20 ⁰ to 60 ⁰ C

PART NUMBERS

DC Model:	29LM081E51UN
AC Power Pack:	20BK0234H

VGA & Old Legacy Signals



- **High Brightness/High Contrast TFT panel**
- **15 to 60kHz Horizontal Scanning range**
- **40 to 100 Hz Vertical Scanning range**
- **Programmable for non-standard Legacy signals**
- **12Vdc Operation (110/230Vac & 24Vdc options)**
- **Rear OSD Controls for maximum versatility**
- **Optional Touchscreen Integration**

The **29LM081(51UN)** Series of LCD monitor Heads has been designed for industrial applications in the Control field and other users that require a compact VGA monitor with a small footprint, high brightness display with good viewing angles. The rugged, metal construction of the monitor ensures exceptional stability, especially important when touchscreen operation is necessary. VESA fixings for Ergo Arm Mounting are on the rear cover.

The KME A/D board has been designed to accept a wide range of signal timings from 15kHz up to VGA standard, including CGA & EGA legacy signals. Set-up controls for fine tuning of the display are located at the rear of the monitor. Once set, no further adjustments should be required, and the last setting is stored in memory.

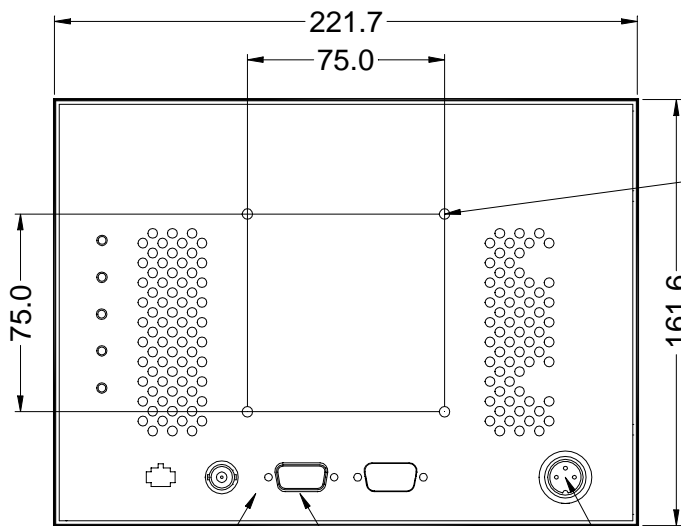
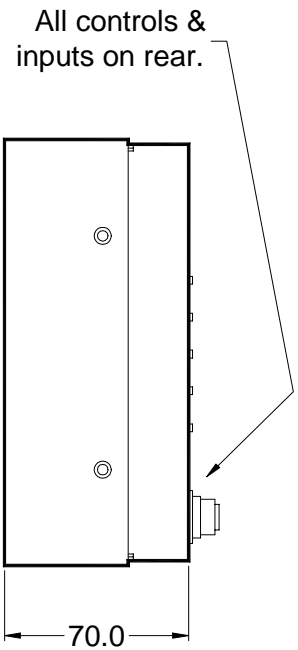
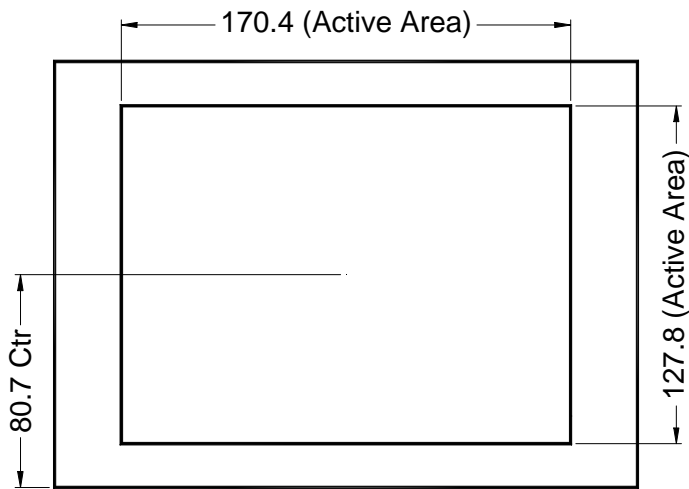
Analogue & TTL signals are accepted via a 15D connector and a 2m VGA cable is supplied with the unit. KME can supply 9D-15D or BNC to 15D interface cables as required.

Due to a policy of continuous product development KME reserves the right to change specifications and descriptions without prior notification. All trademarks acknowledged. 29lm081(51un)1 09/2004



29LM081(51UN) SERIES

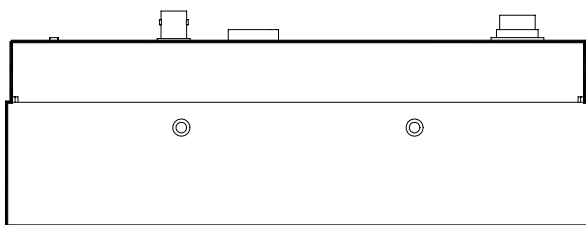
8.4"LCD MONITOR HEAD



4 off M4 Fixings on 75mm VESA standard fixing centres.

Signal Inputs Touch Input* Power Input

*Where Fitted



All dimensions in Millimetres
(Not to scale)

29lm081(51un)2

08/2004