

# FLAT PANEL MONITORS

**19LM1901(31MP) SERIES**

**19.0" MULTISCAN DESKTOP LCD MONITORS**

## DISPLAY

Type:	AM Colour TFT
No. Colours:	16 million
Max. Resolution:	1280 x 1024 pixels
Active Display Area:	376 x 301 mm
Backlight Life:	50,000 hours typical
Brightness:	250cd/m <sup>2</sup> typical
Contrast Ratio:	500:1 typical.
Viewing Angles:	85° Left; 85° Right 85° Up; 85° Down
Response Time:	15ms average, typical

## SIGNAL INPUTS

### Input A:

Video:	PAL or NTSC standard
Input Connector:	BNC (75R)
Sync. Type/Level:	Composite (CVBS) 1V p-p

### Input B:

Video:	Analog RGB 0.7-1.0V p-p
Input Connector:	15-pin HD Female
Sync. Type/Level:	Separate H&V (+/-ve) TTL or Composite (-ve) TTL or Sync-on-Green (-ve) 0.3V

Multiscan Support:	1280 x 1024 SXGA 1024 x 768 XGA 800 x 600 SVGA 640 x 480 VGA
--------------------	---

Horizontal Scan:	31-91kHz
Vertical Scan:	56-85Hz
Clock Rate:	135MHz max

Controls: (On Screen Display ) buttons at front )	Brightness, Contrast, Autoset, H/V Position, Colour, Clock, Clock Phase and Priority.
---	---

## POWER INPUTS

AC Model:	110/230V 50/60Hz Power Pack inside base
-----------	--

Power Consumption:	50W Max.
--------------------	----------

## PHYSICAL/ENVIRONMENTAL

Dimensions (approx):	430 x 430 x 187 mm
Weight (approx):	9Kg.
Housing:	Painted Steel (Storm Grey)
Operating Temp:	0 to 50°C
Storage Temp:	-20 to 60°C

## PART NUMBERS

RGB + PAL/NTSC	19LM1901A31MP
RGB only:	19LM1901A31M

Due to a policy of continuous product development KME reserves the right to change specifications and descriptions without prior notification. All trade marks acknowledged. 19lm1901(31mp)1 04/2004

## PAL/NTSC and SXGA Models



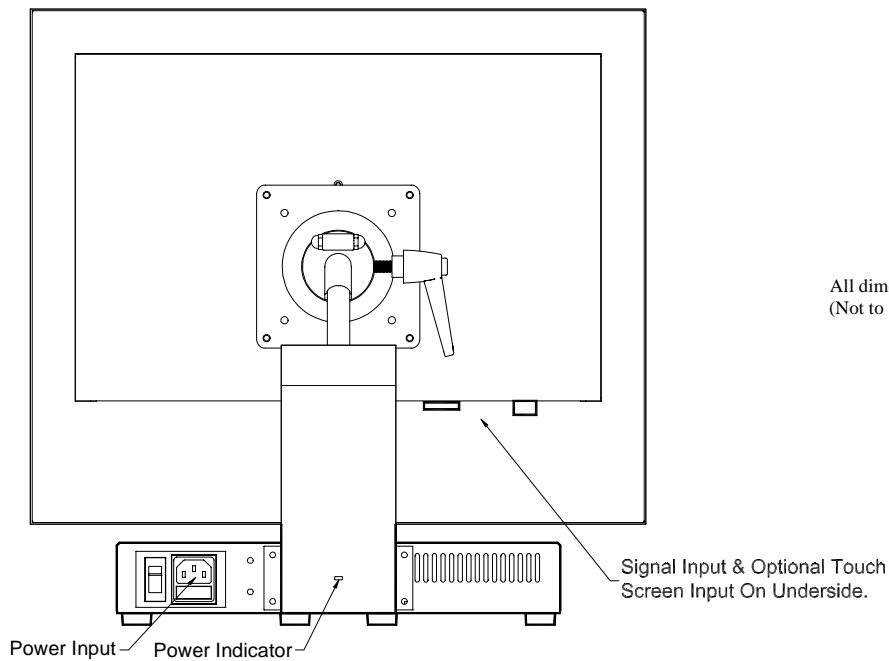
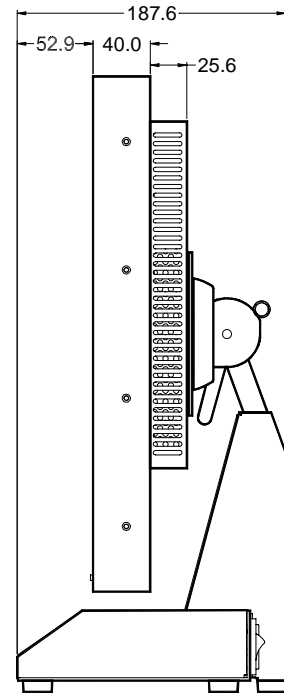
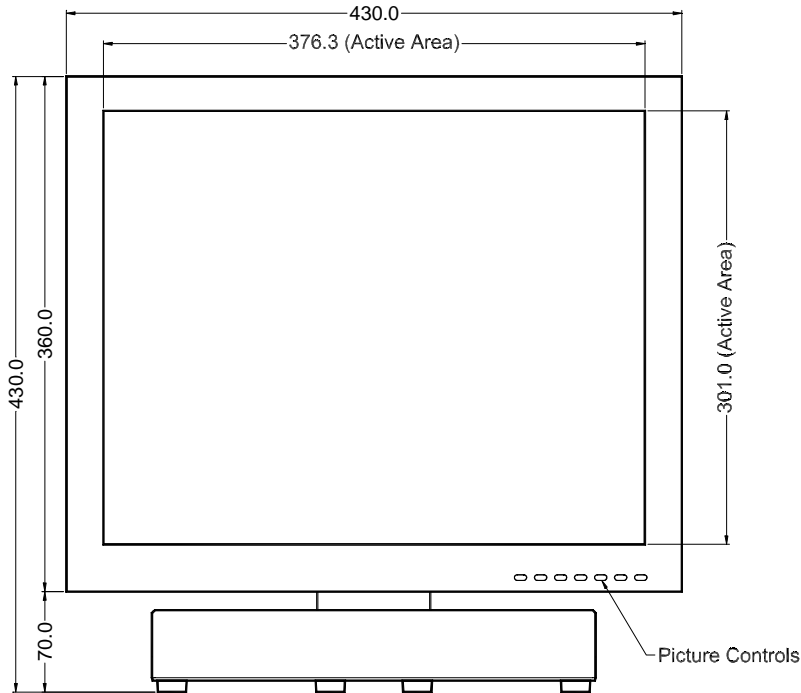
- **Rugged Metal Construction with Good Stability**
- **Non-glare Glass Protection Screen**
- **High Brightness & Wide Viewing Angles**
- **Range of Video Signal Features**
- **Optional RS232 control of OSD**
- **Optional Touchscreen integration**
- **RGB only models available**
- **Custom designs & corporate logos/colours**

KME has developed this 19.0" Desktop model, within the popular 19LM series of LCD monitors, to address the growing demand for a monitor that is capable of displaying PAL/NTSC video and SXGA to VGA resolution data signals.

The **19LM1901(31MP)** series has this capability. Two separate signal sources (e.g. Camera/VCR + Computer RGB) can be connected simultaneously and automatically switched full screen, on a Priority basis. Alternatively the video images may be presented as a "Picture in Picture" over a data image. This selection is set-up by the sophisticated OSD controls that also validate the picture zoom, flip, rotate and freeze frame features. Remote access to the OSD controls is also available via the RS232 serial port.

The combination of a highly flexible PAL/NTSC video interface and a VGA to SXGA data display makes this monitor the perfect choice for system integrators eager to meet their client's current and future display requirements.





All dimensions in millimetres  
(Not to scale)