

# FLAT PANEL MONITORS

## 19LM104(61MP) SERIES

## 10.4" DESKTOP LCD MONITORS

### DISPLAY

Type:	AM p-Si Colour TFT
No. Colours:	256k
Max. Resolution:	640 x 480 pixels
Active Display Area:	211.2 x 158.4 mm
Display Protection:	Toughened Glass
Backlight:	Dual Edge CFL x 2
Backlight Life:	50,000 hours typical
Brightness:	400 cd/m <sup>2</sup> typical
Contrast Ratio:	250:1
Viewing Angles:	110°H , 90° V

### SIGNAL INPUTS

#### Input A:

RGB:	Analog RGB 0.7-1.0Vp-p
Input Connector:	15-pin HD Female
Sync. Type/Level:	Separate H&V (+/-ve) TTL

#### Input B:

Video:	PAL or NTSC standard
Input Connector:	RCA
Sync. Type/Level:	Composite (CVBS) 1Vp-p

Resolution:	640 x 480 VGA
-------------	---------------

Horizontal Scan:	15 - 38kHz
Vertical Scan:	50 - 70Hz

User Controls:	At Rear
Set Up Controls:	At rear: Autosetup + full OSD menu via pushbuttons

### POWER INPUTS

AC Model:	110/230Vac 50/60Hz
Connector:	IEC.
Power Consumption:	20W typical

### PHYSICAL / ENVIRONMENTAL

Dimensions (approx):	302 x 283 x 173mm
Weight (approx):	3.5 kg.
Housing:	Painted Alum. (Storm Grey)
Operating Temp:	0 <sup>0</sup> to 50 <sup>0</sup> C
Storage Temp:	-20 <sup>0</sup> to 60 <sup>0</sup> C

### PART NUMBERS

Standard Model	19LM104A61MP
With Resistive Touch	19LM104AR61MP
With Capacitive Touch	19LM104AC61MP

### Compact Video + VGA Display



- **High Brightness/Long Life TFT panel**
- **VGA (640 x 480 pixels) resolution**
- **Automatic Image Size Adjustment**
- **Heavy-Duty Tilttable Desktop Stand**
- **Rugged Metal Construction with Good Stability**
- **AC Power Supply in Stand Base**
- **Touchscreens easily integrated**
- **A No Frills Industrial Design Concept**

The **19LM104(61MP)** Series of LCD desktop monitors has been designed for industrial applications that require a compact, VGA compatible monitor with good viewability. It is constructed from painted Aluminium, making it lightweight but with good rigidity. Once set, via the Autosetup facility, there is no need for user adjustments and there are no front controls.

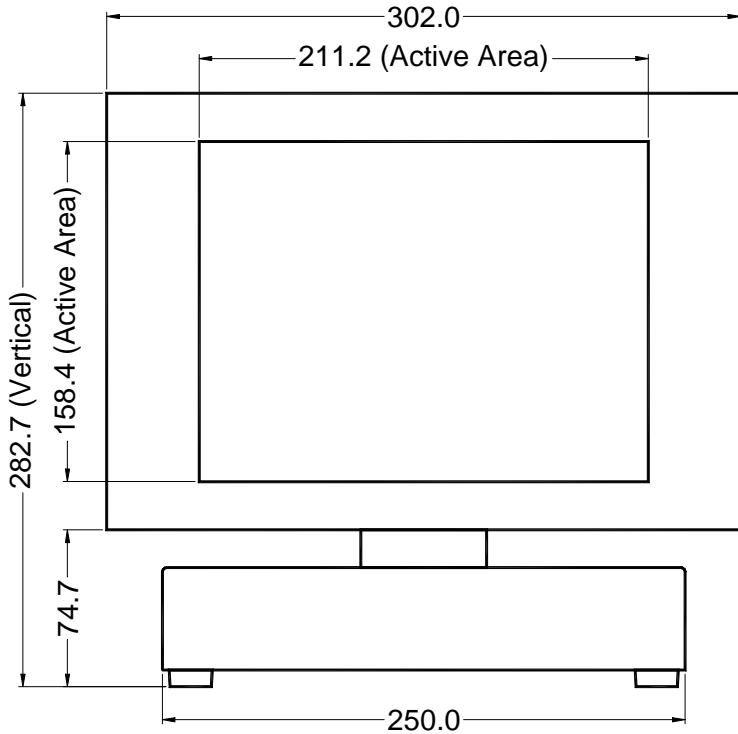
The **19LM104(61MP)** Series incorporates PAL/NTSC capability in addition to RGB, opening applications in security, surveillance and machine vision systems. With AC power supplies integrated within the base of the desktop stand, considerable force is required to unbalance them. This makes them ideal for Touchscreen applications on industrial desks.

The display Head is available separately for arm mounting applications – see 29LM104(61MP) series.

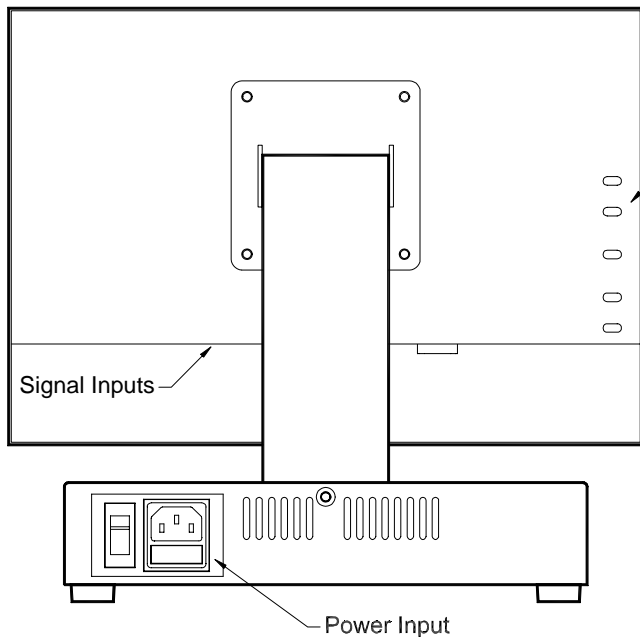
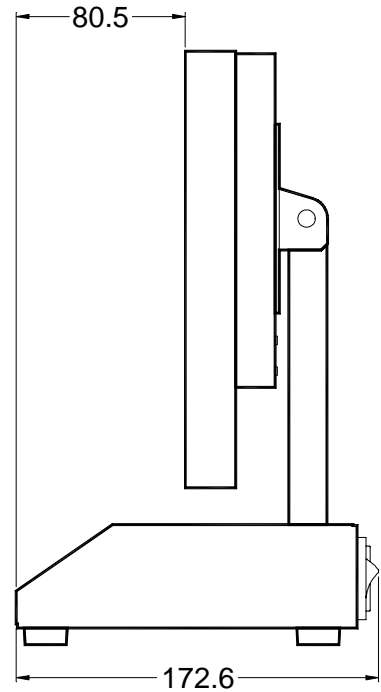
Due to a policy of continuous product development KME reserves the right to change specifications and descriptions without prior notification. All trademarks acknowledged 19lm104(61mp)1 09/2004.



FRONT VIEW



SIDE VIEW



REAR VIEW

All dimensions in Millimetres  
(Not to scale)

19lm104(61mp)2

09/2004